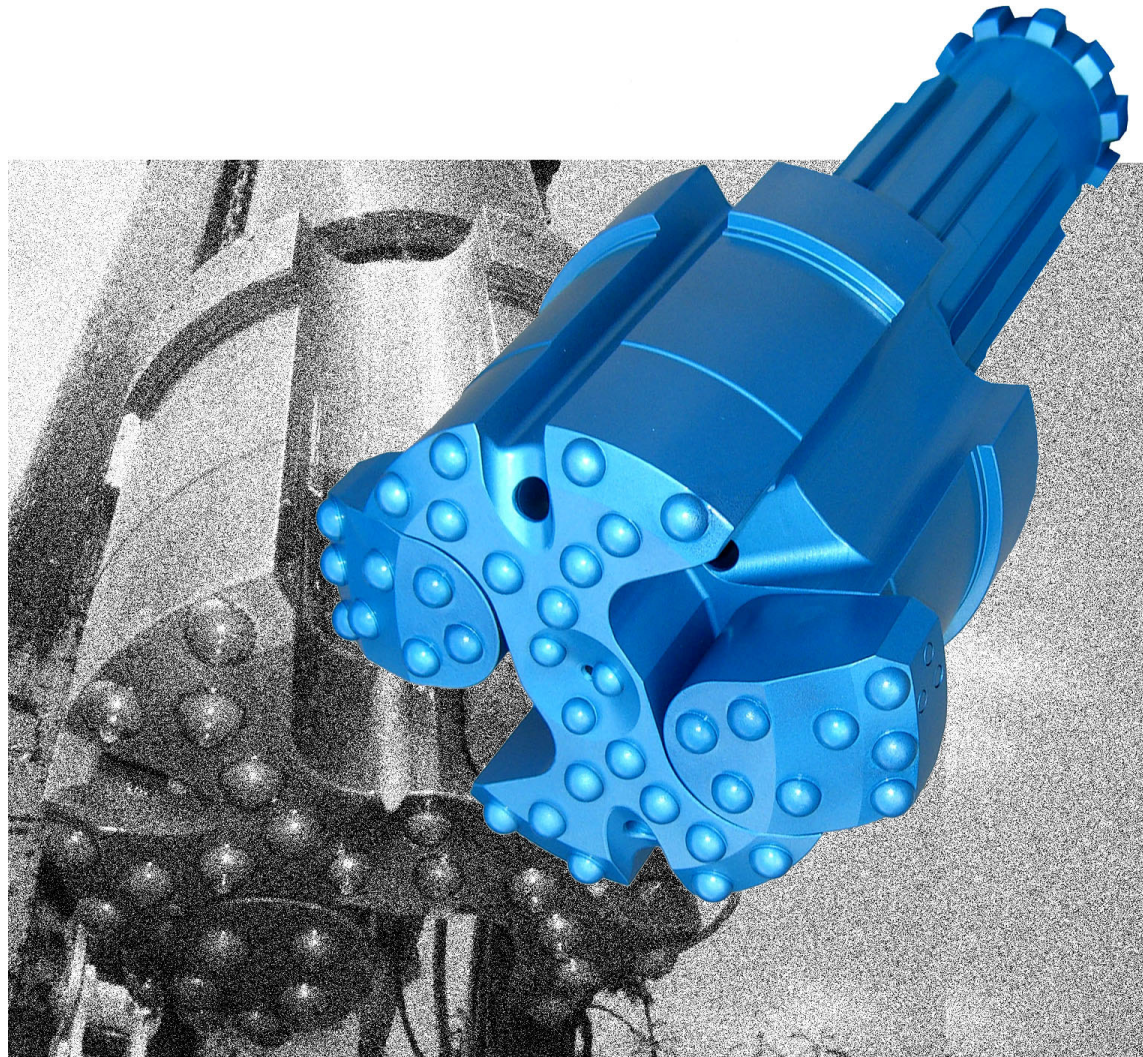


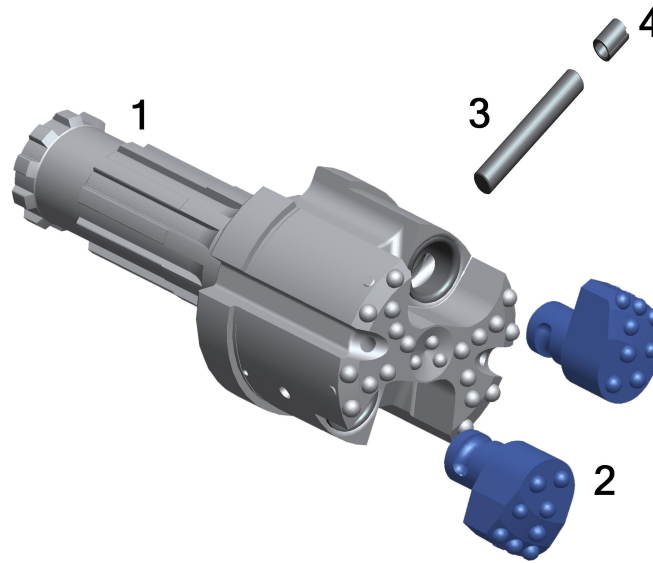
PITUMEC

THE PCON-E 235 CONCENTRIC UNDERREAMING SYSTEM



CASING SIZE 273MM OD X 254MM ID DRILLING DIA. 293MM

PNEUMEC PCON-E 235 CONCENTRIC UNDERREAMING SYSTEM



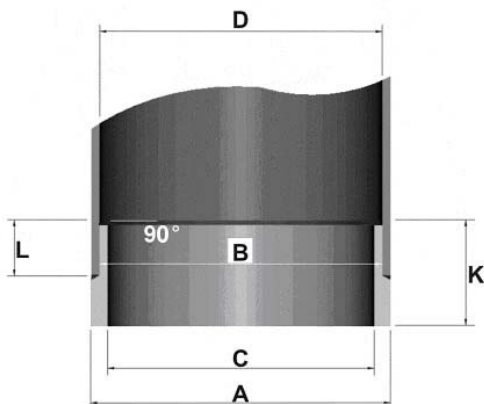
PCON-E 235 PARTS LIST

1.	DRIVER BIT DHD380 SHANK	UGD235380PCE
2.	REAMER(2)	UBS235PCE
3.	LOCKING PIN	USP23550PCE
4.	SPLIT PIN	USP23551PCE
5.	COMPLETE SYSTEM	UCS235380PCE

PCON-E 235 SPECIFICATIONS

UPPER BODY DIAMETER	251MM	CLOSED DIAMETER	236MM
REAMING DIAMETER	293MM	CASING SIZE	273MM OD X 254MM ID
SYSTEM LENGTH	590MM	SYSTEM WEIGHT	100KG

PCON-E 235 CASING SHOES



DIA. A	273MM
DIA. B	251MM
DIA. C	238MM
DIA. D	254MM
L	44MM
K	95MM

PNEUMEC

PNEUMEC COMPANY LIMITED

1st Floor, Tin On Sing Comm. Bldg., 41-43 Graham St. Central, H.K.

Tel : (852) 2180 9922

Fax : (852) 2180 9982

Website : www.pneumec.com

email : info@pneumec.com